

Fire Extinguisher F35G-783

Fire extinguisher with external CO2 cartridge



Prod. no.: F35G-783

Extinguishing agent:A.F.F.F. foam
Nominal charge: ..35 GLN (155 lt.) - 2,1 GLN AFFF foam and 32,9 gln water
Jet length:9 mt at +20°C
Discharge time:120 sec. at +20°C

1: Vessel

Diameter:450 mm
Min. thickness:3 mm
Material:Steel DD12 (UNI EN 10111)
Working pressure:15 bar at +20°C
Test pressure:30 bar at +20°C
Burst pressure:55 bar at +20°C

2: Filling cap Ø2" complete with:

Spring safety valve set at 22 bar +/- 2
Cap body:Brass

3: Discharge hose

Length:5 metres
Diameter:16 x 26 mm
Burst pressure:60 bar
Material:Wire braided rubber

4: Discharging apparatus

Interception valve:Brass
Foam Nozzle:Aluminium

5: Carbon Dioxide bottle

Capacity:6 kg
Material:Seamless steel

6: Handwheel valve, complete with:

Safety disk set at 185 bar +/- 15 bar
Valve body:Brass

7: Wheels

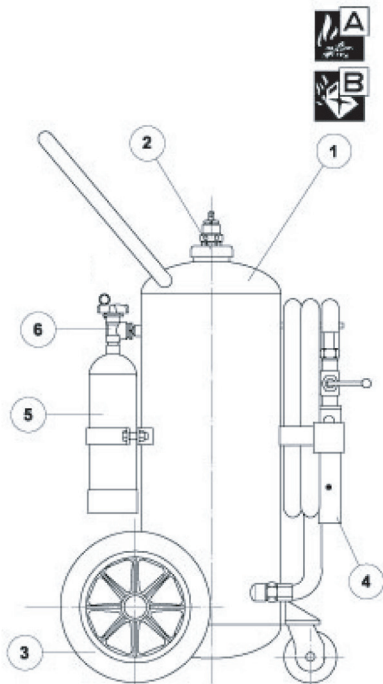
Diameter:400 mm
Material:Hard rubber/PVC

Overall dimensions

Height:1,330 mm
Depth:900 mm
Width:650 mm
Weight:250 kg

Painting cycle

Deep sandblasting Epoxy powder painting: 50 µm
Colour:Red RAL 3000



Lotek - Fire Extinguisher F35G-783 - 040110

