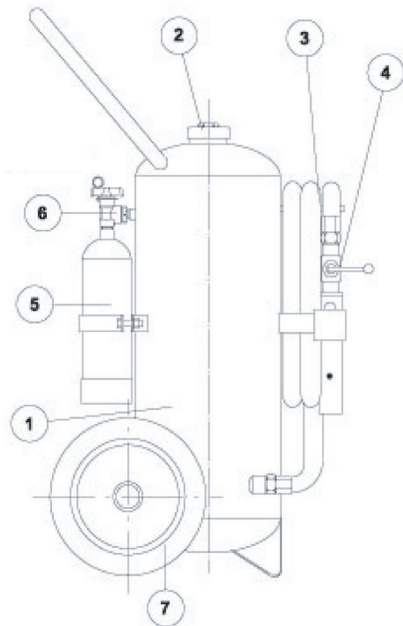


Fire Extinguisher F10G-781

Fire extinguisher with internal CO2 cartridge



Lotek - Fire Extinguisher F10G-781 - 120112

Prod. no.: 01010840

Extinguishing agent:A.F.F.F. foam
Nominal charge:10 GLN (45 lt.) - 0.6 GLN AFFF foam and 9.4 gln water
Jet length:9 mt at +20°C
Discharge time:35 sec. at +20°C

1: Vessel

Diameter:300 mm
Min. thickness:2.5 mm
Material:Steel DD12 (UNI EN 10111)
Working pressure:15 bar at +20°C
Test pressure:30 bar at +20°C
Burst pressure:55 bar at +20°C

2: Filling cap Ø2" complete with:

Spring safety valve set at 22 bar +/- 2
Cap body:Brass

3: Discharge hose

Length:5 metres
Diameter:16 x 26 mm
Burst pressure:60 bar
Material:Wire braided rubber

4: Discharging apparatus

Interception valve:Brass
Foam Nozzle:Aluminium

5: Carbon Dioxide bottle

Capacity:2 kg
Material:Seamless steel

6: Handwheel valve, complete with:

Safety disk set at 185 bar +/- 15 bar
Valve body:Brass

7: Wheels

Diameter:200 mm
Material:Hard rubber/PVC

Overall dimensions

Height:1,070 mm
Depth:640 mm
Width:430 mm
Weight:85 kg

Painting cycle

Deep sandblasting Epoxy powder painting: 50 µm
Colour:Red RAL 3000

